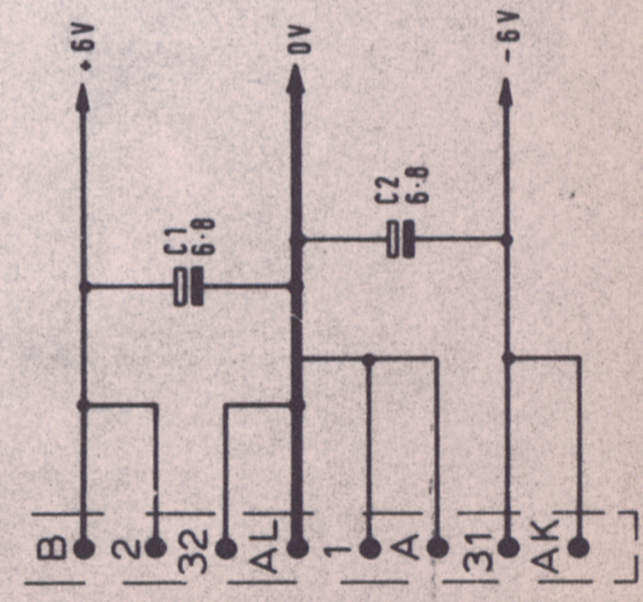
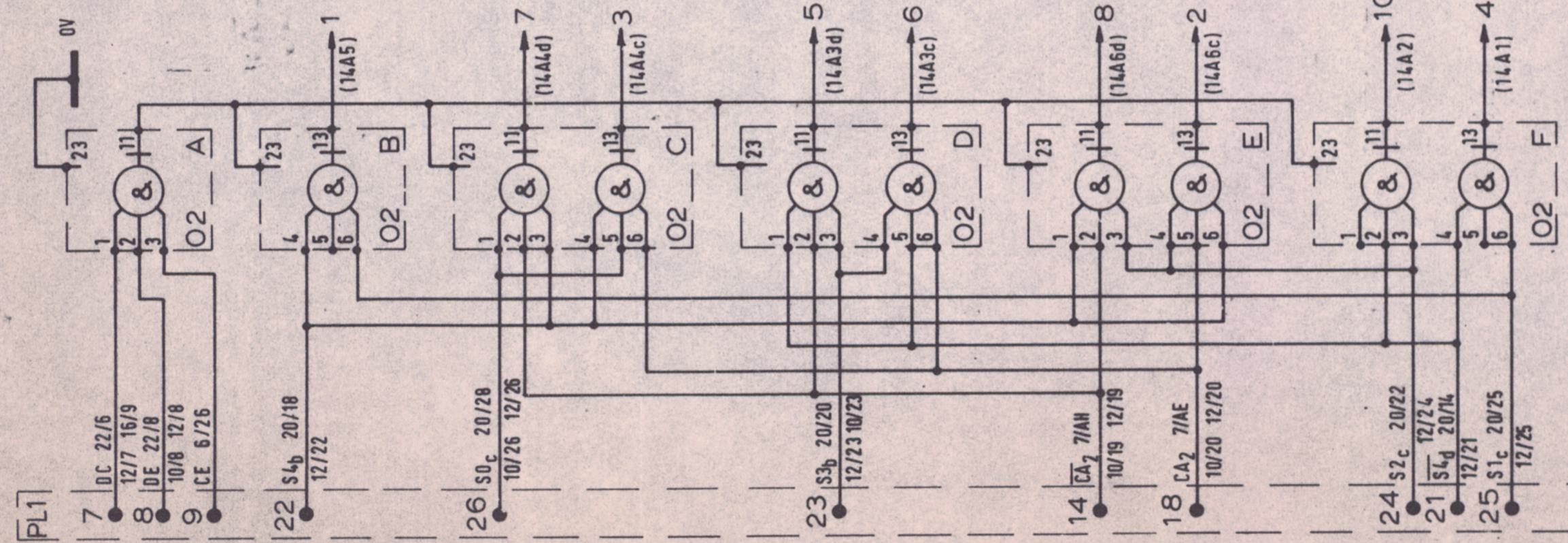
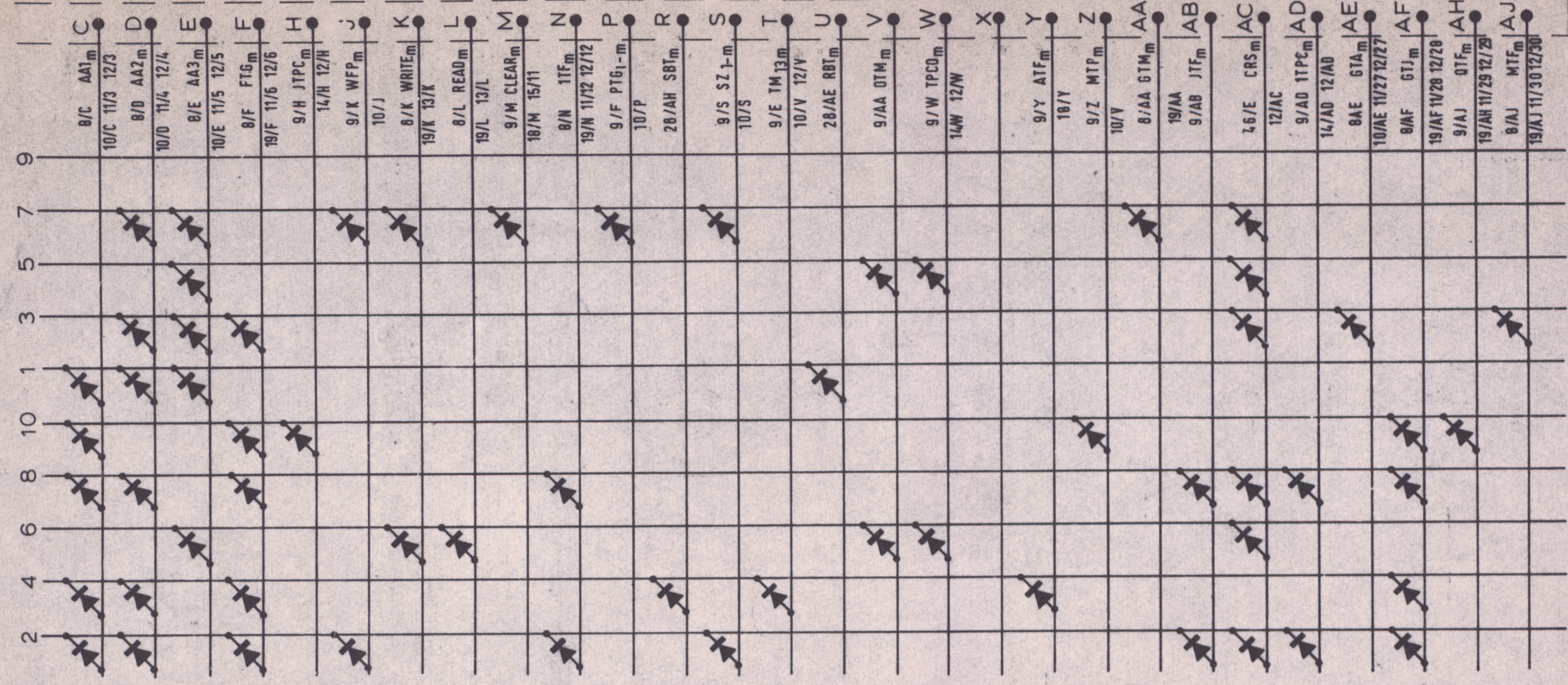


USED ON C4079

PL1



TITLE:  
BOARD A-GI. POS.11  
CONTROL MATRIX  
FUNCTION 14 A

TO BE READ IN CONJUNCTION WITH 322A7191

35

LATEST MI INCORPORATED... MI 2834 ~~2998~~ 2998

ISSUE No.	3
ALTERATION No.	1740
DATE	14.7.66
INITIALS	S.W.
PARTS LIST No.	
DRAWN	S.MIBLETT.
CHECKED	CS 638
APPROVED	[Signature]
DATE	7-11-66

MATERIAL \_\_\_\_\_ FINISH \_\_\_\_\_

TOLERANCES  
LINEAR  
UNMACHINED SURFACES ±  
MACHINED SURFACES ±  
ANGULAR DIMENSIONS ±  
UNLESS OTHERWISE STATED

TITLE  
BOARD A-GI. POS.11  
CONTROL MATRIX  
FUNCTION 14 A

ELLIOTT BROTHERS (LONDON) LTD

SCALE \_\_\_\_\_  
DRAWING No.  
322 C 5202